



## A60 Watertight Marine Hatch

 **ZHIYOU MARINE**  
Marine & Offshore Equipment Supplier

Shanghai Zhiyou Marine & Offshore Equipment Co., Ltd

Web: [www.marineoutfittings.com](http://www.marineoutfittings.com)

Email: [info@marineoutfittings.com](mailto:info@marineoutfittings.com)

Tel: +86 21 5645 2367

## Brief

Be different from general marine hatch cover, A60 watertight marine hatch is a kind of fireproof hatch cover simultaneously can be watertight marine hatch. The marine hatch cover can be opened or closed on both sides by turning the wheel handle. This quick acting device can be easily operated in case of fire or other emergency situations. The A60 watertight marine hatches are commonly suit for oil tankers, chemical ships etc.

## Specification

Customized design/production is available.

Ready for welding directly to deck.

Sizes are all customized, and ready to fit.

Available in natural finish, primed or coated in accordance with specific requirements.

Watertight pressure can be 0.1MPa (10m water deep).

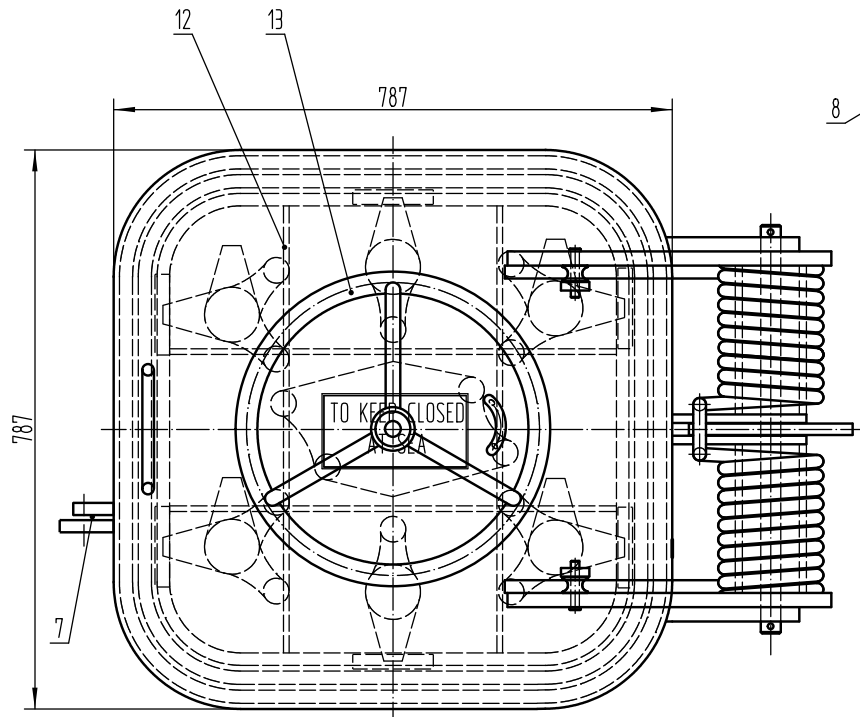
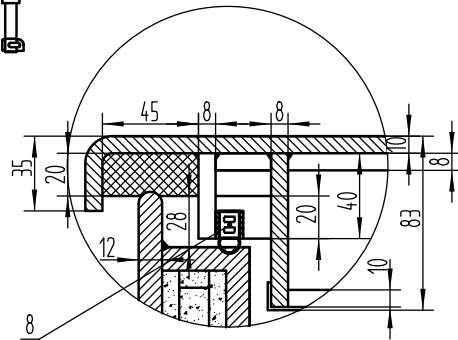
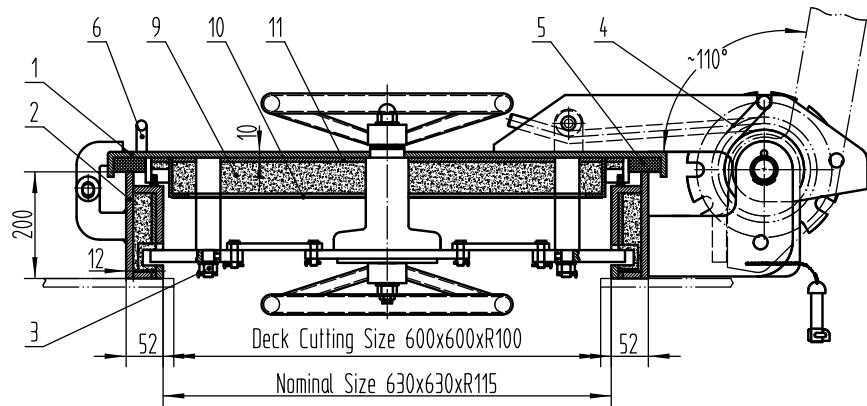
ABS, BV, CCS, etc Classification Society certification approval.

Other requirements.

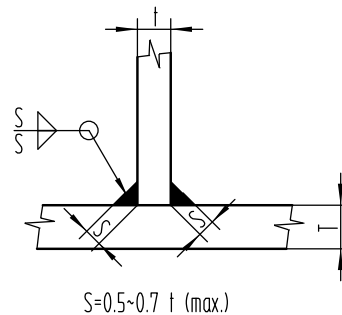
## Dimensions

Nominal Size	Deck Cutting Size	External Size	Height
530×530	500×500	687×687	≥200
630×630	600×600	787×787	
730×730	700×700	860×860	
830×830	800×800	960×960	
1030×1030	1000×1000	1160×1160	
Φ600	Φ630	Φ720	
Φ650	Φ680	Φ770	
Φ700	Φ730	Φ820	
Φ750	Φ780	Φ870	
Φ800	Φ840	Φ920	

\*Note: Contained within the sheet above are dimensions for reference only, customized solution or any other requirements please [contact us](#).




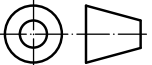
Welding detail



13	Quick Acting Device	1	Assembly			
12	Stiffener	4	Marine Steel (Q235)			8x60
11	TC Board	2	-			Density1000Kg/m <sup>3</sup>
10	Sealing Plate	1	Marine Steel (Q235)			H.D.G
9	Ceramic Wool	1	-			Density170Kg/m <sup>3</sup>
8	Fireproof Strips	1	-			
7	Lock	1	Marine Steel (Q235)			
6	Handle	1	Marine Steel (Q235)			
5	Sealing	1	Flame retardant rubber			45x20
4	Spring Hinges	2	Assembly			Pin SUS304
3	Clips	6	Assembly			Nut SUS304
2	Coaming	1	Marine Steel (Q235)			t=12
1	Cover Plate	1	Marine Steel (Q235)			t=10
NO.	NAME	QTY.	MATERIAL	S. T.		REMARK
				WEIGHT		

Note:

1. The maximum opening angle is approx. 110 °, and can be fixed by pin on open direction.
2. Hinge and opening device should be opened flexible, rotating department should be painted neutral grease.
3. After the completion of hatch cover 0.05MPa pressure for the internal pressure test, to maintain the phenomenon of leakage after 15 minutes, no permanent deformation after the test.

1		
Rev	Description	Date
Note	All dimensions are in millimeters unless otherwise specified.	
 <b>ZHIYOU MARINE</b> Shanghai Zhiyou Marine & Offshore Equipment Co., Ltd Room 405, Fudan Software Park, 188 Changyi Road, Shanghai China. Tel: +86-21-5645-2367 Email: sales@zhiyoumarine.com info@marineoutfittings.com Web: www.zhiyoumarine.com www.marineoutfittings.com		
Dwg Name	A60 Watertight Fire Hatch Cover	
	Scale	1:7.5 @A3
	Sheet	1/1
Dwg No.	ZY-171121-Gre	